

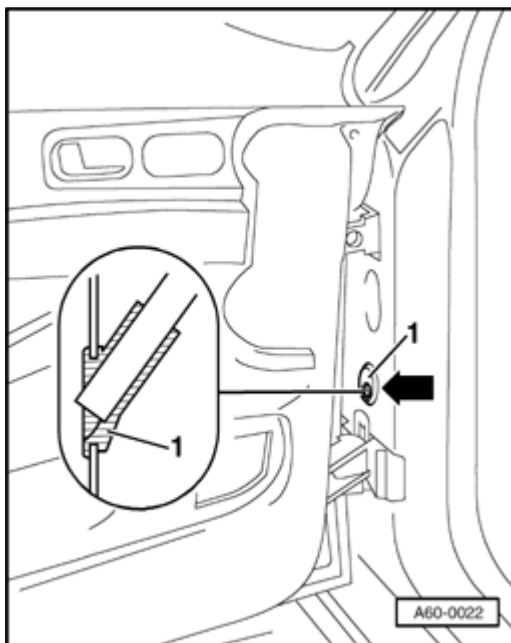
Audi > B5 Platform > 1996 - 2002
Body Exterior
60 - Sunroof

Sunroof water drain hoses, cleaning

Note:

For cleaning, it is recommended that you create your own assisting tool out of a speedometer inner cable, approx. 2300 mm (90.5 in.) long.

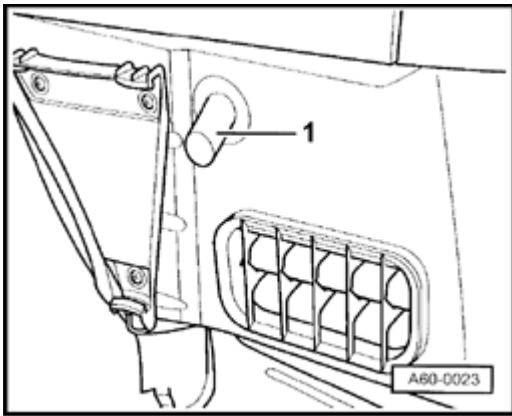
Front water drain hoses



Front water drain hoses are routed in the A-pillars and exit above the lower hinge of front door.

They can be cleaned from the sunroof cut-out.

Rear water drain hoses



- Rear water drain hoses are routed in the C-pillars and exit behind the bumper cover at the side. They can be cleaned from the lower end of the hose. To do so, rear bumper cover must be removed.